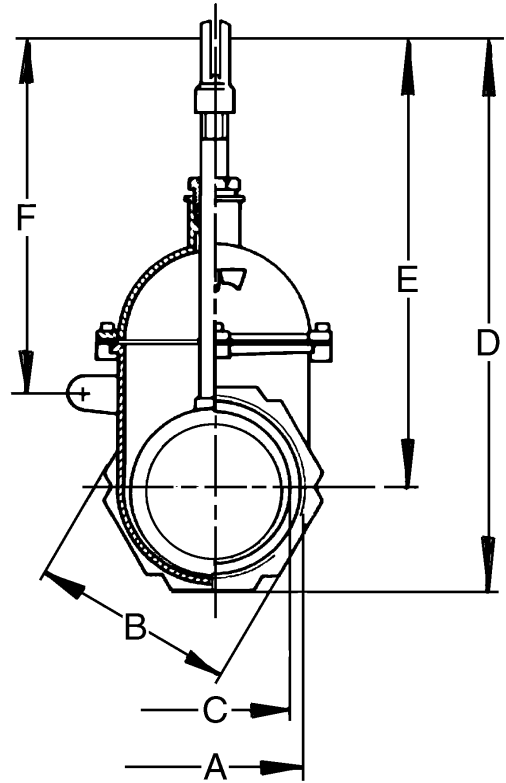


Piston Valves

Piston Valves – NPT Thread – Parts Dimensions

PART NUMBER	A	B	C	D	E	F
356-302-4	4	4.9	3.6	12.6	10.4	8.6
358-302-6	6	6.9	5.7	18.9	15.4	12.6



DESCRIPTION	PART NUMBER
4" Piston Valve - NPT Thread [^]	356-302-4
6" Piston Valve - NPT Thread [^]	358-302-6

[^] Order Handles Separately

Tank Truck Service & Sales, Inc Warren, Michigan
 800-482-2678 www.tanktruckservice.com